

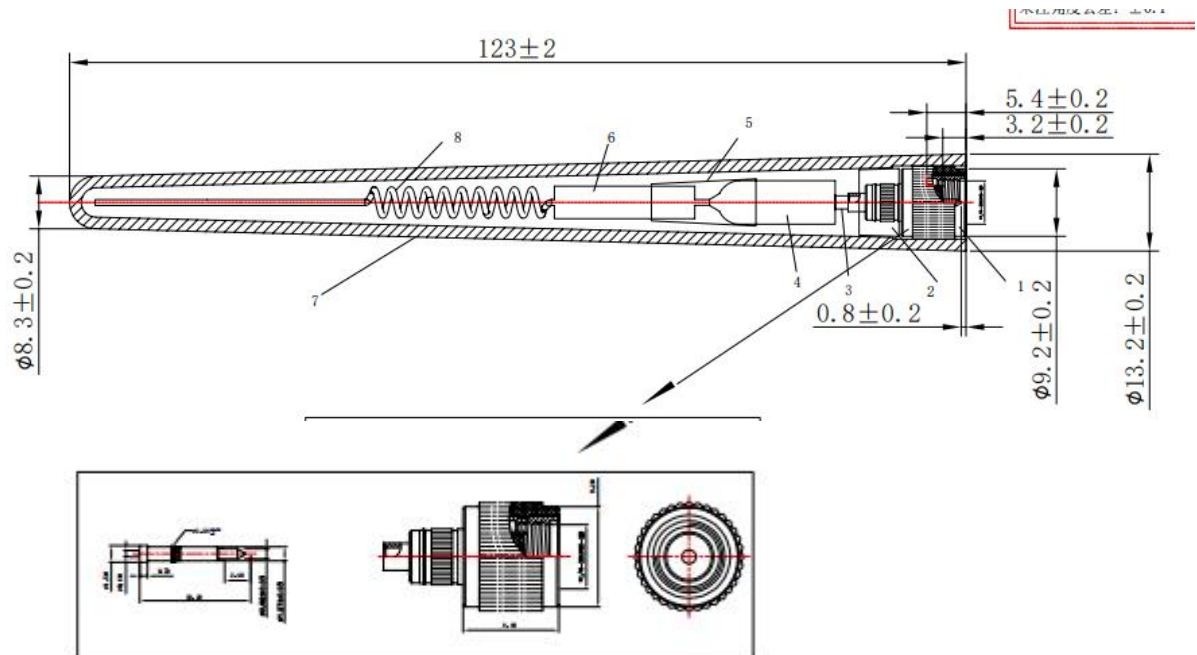
# GLOBAL EAST ASIA(Hong Kong) TECHNOLOGY CO.,LTD

## Unspecified dimensional tolerance

50>a>0:±0.05; 100>a>50: 0.08;

200>a>100: 0.10; a>200: 0.15;

## Unspecified angle tolerance:±0.2°



## Technical Requirement

1. The cable is free from skin damage, scratches, broken network and broken core;
2. No shrinkage, cracks, deformation, burrs and impurities. Equal injection defects;
3. Ensure that the surface is smooth, clean and free from oil stains and scratches. Sand holes and cracks;
4. Unmarked tolerance shall be in accordance with the requirements of unmarked tolerance.

# GLOBAL EAST ASIA(HongKong) TECHNOLOGY CO.,LTD

Serial number	Name	Specification	Materials	Remarks
1	Spring	∅ 4.15*60*0.75	Brass	
2	Rod Sleeve	∅ 13.2*122.5	TPE	
3	Solid Column	∅ 4.4*18	Zinc Alloy	
4	Heat Shrinkable Tube	∅ 4*18	EVA	
5	Brass	∅ 4.4*23.5	Copper and Nickel Plating	
6	Electric Cable	RG178Dual Silver	Copper,FEP, Sliver and so on	
7	Fastener	∅ 10*10	ABS	
8	Connector	SMA male	Cu	

Model Number	GL451XCT-2400
Proportion	FIT
Unit	MM
View	

## Product outline

