



**4G Screw antenna**

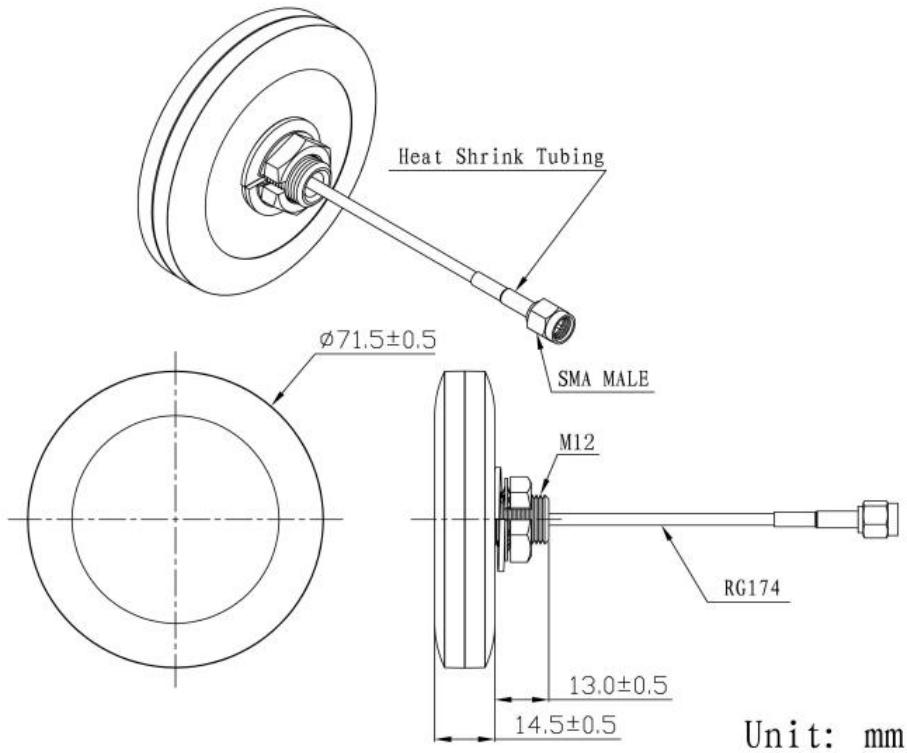
**PN: GL046-19**



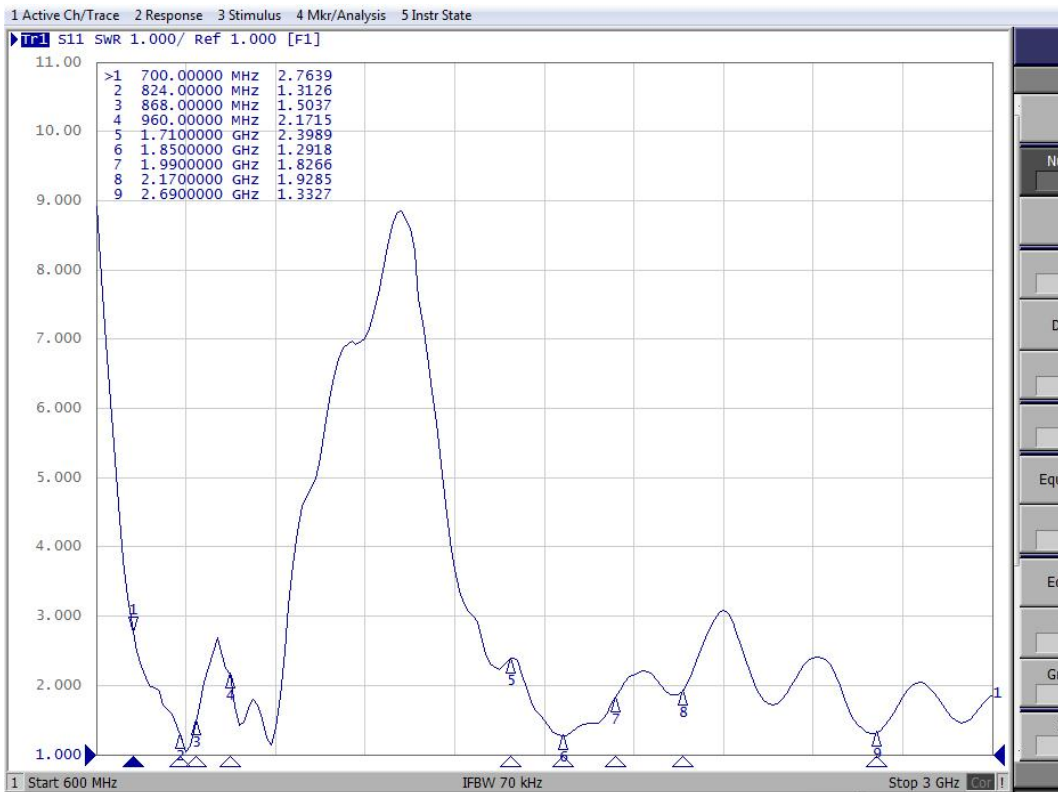
Item		Specifications
Antenna	Frequency Range	700~960/1710~2690MHz
	Polarization	Linear
	Gain	2.0dBi (Zenith)
	V.S.W.R (min)	<2.5
	Impedance	50Ω
Mechanical	Cable	RG174 or others
	Connector	SMA or others
	Radome Material	ABS
	Mounting Method	Magnet
Environmental	Operating Temperature	-40℃~+85℃
	Relative Humidity	Up to 95%
	Vibration	10 to 55Hz with 1.5mm amplitude 2hours
	Environmentally Friendly	ROHS Compliant



**Drawing**



**Testing VSWR**



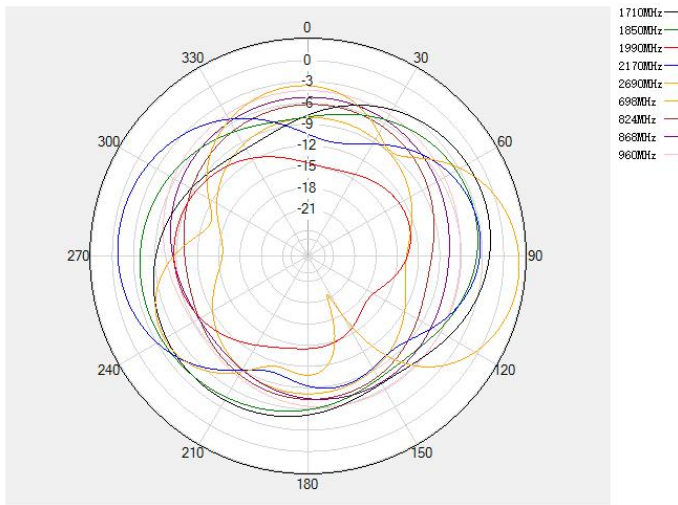


### Gain and Efficiency

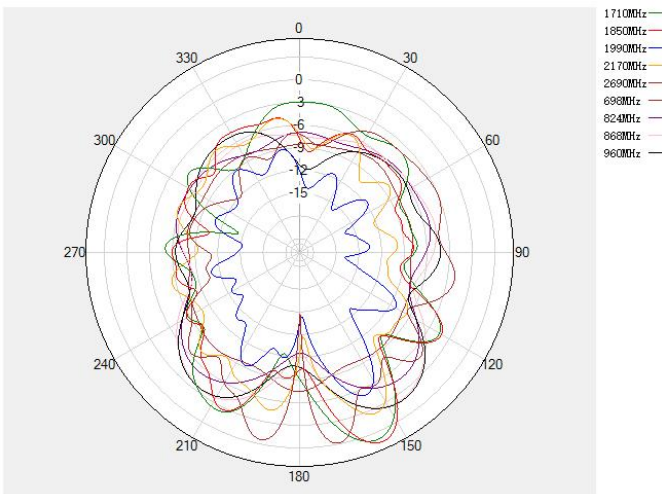
Frequency(MHz)	Gain(dBi)	Efficiency(%)
698	-4.18	13.84
824	0.31	25.67
868	1.52	32.61
960	1.64	32.40
1710	4.03	39.30
1850	4.46	38.08
1990	-1.98	9.42
2170	2.13	37.05
2690	4.68	48.30



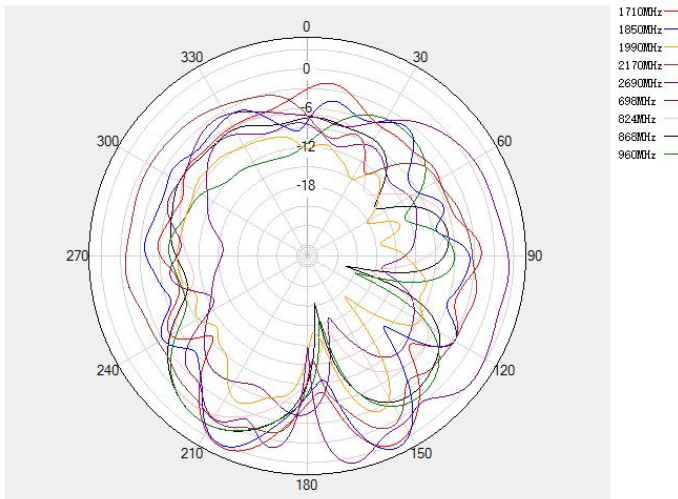
**Antenna Radiation Pattern:**



**XY**



**XZ**



**YZ**