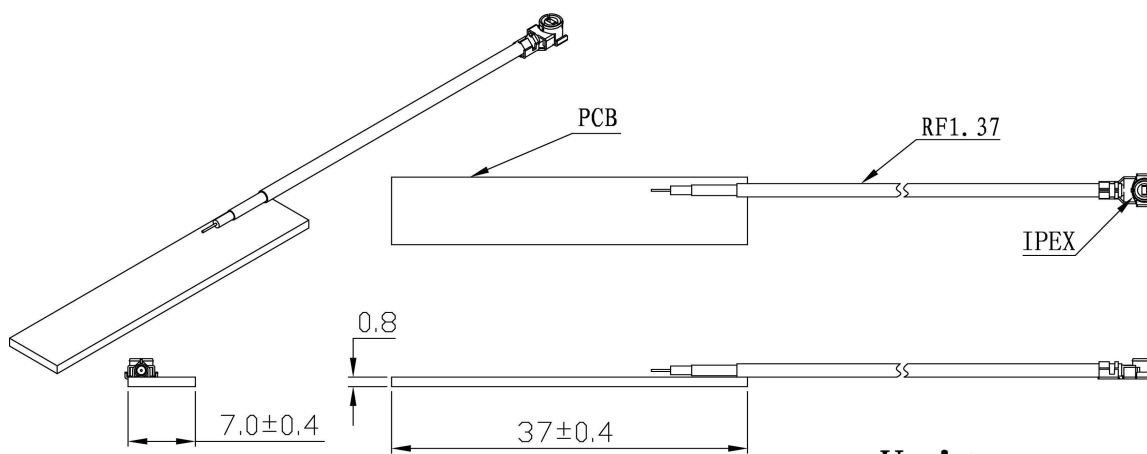
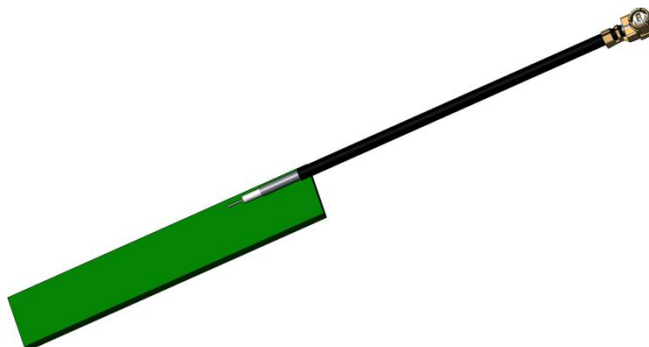


GLOBAL EAST ASIA TECHNOLOGY CO.,LTD

GL-DYG086



Unit: mm

GLOBAL EAST ASIA TECHNOLOGY CO.,LTD

1 Electrical specifications

Frequency range (MHz)	868
Gain (dBi)	0
Polarization	Liner
Impedance (Ω)	50
Max Power (W)	50
VSWR	≤ 2.0

2 Mechanical specifications

Connector	UFL
Dimensions(mm)	37x7x0.8
Cable	RG1.13/RG1.37
Temperature ($^{\circ}\text{C}$)	-30~60
Vibration	10 to 55Hz with 1.5mm amplitude 2hours
Environmentally Friendly	ROHS Compliant
Humidity (%)	5~95